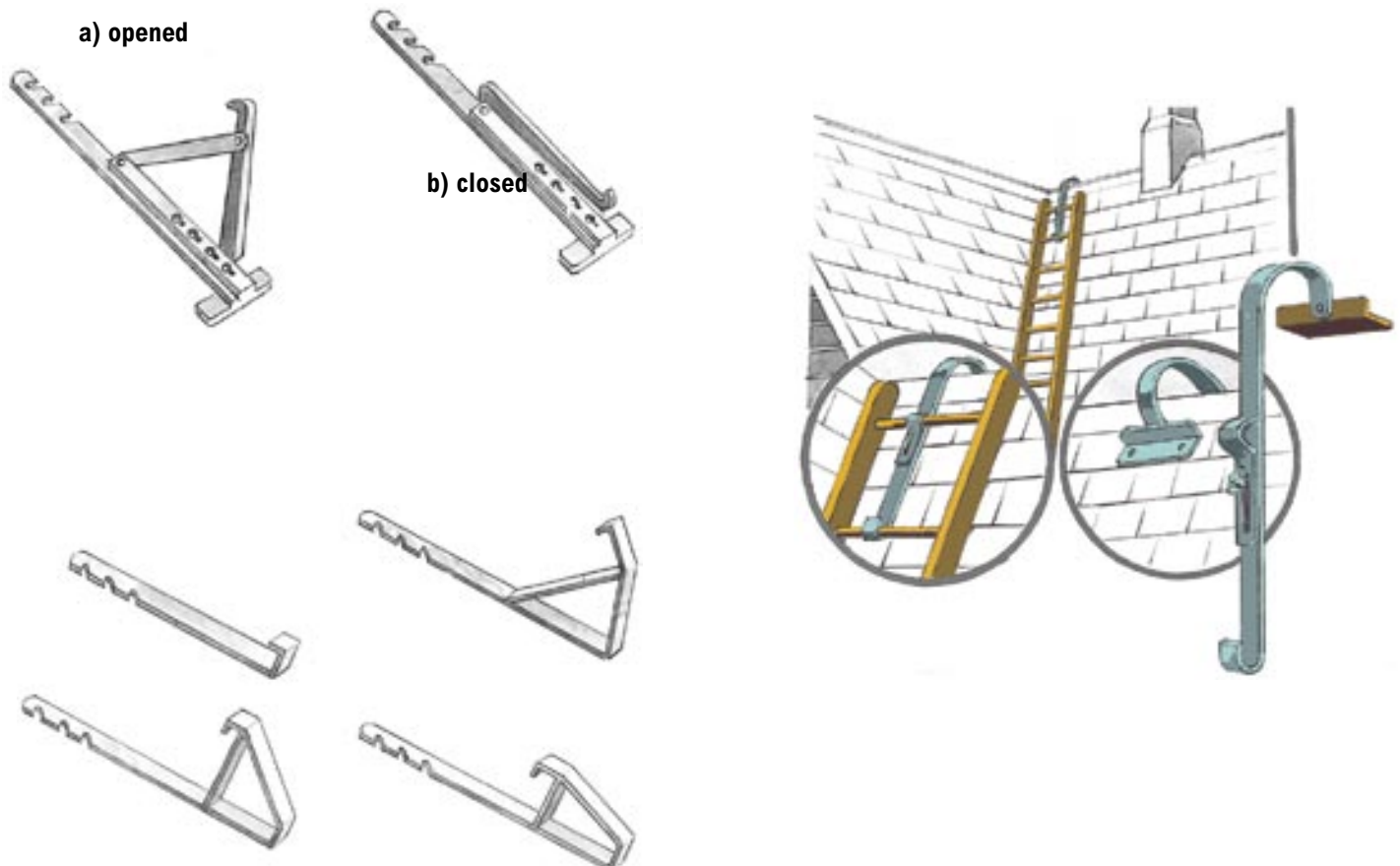




## Roof jacks and toeholds

- Roof jacks must be of substantial construction and maintained in good condition.
- Roof jacks must be equipped with effective non-slip devices.
- Exposed horizontal roof strapping may be used as toeholds as long as it provides safe footing.
- Crawl boards or ladders used for roof work must be securely fastened over the ridge of the roof or must be otherwise effectively anchored.
- The use of eavestroughs for support is prohibited.



Project: \_\_\_\_\_ Address: \_\_\_\_\_

Employer: \_\_\_\_\_ Supervisor: \_\_\_\_\_

Date: \_\_\_\_\_ Time: \_\_\_\_\_ Shift: \_\_\_\_\_

Number in crew: \_\_\_\_\_ Number attending: \_\_\_\_\_

Other safety issues or suggestions made by crew members:

---

---

---

---

---

---

Record of those attending:

Name: (please print)	Signature:	Company:
1.		
2.		
3.		
4.		
5.		
6.		
7.		
8.		
9.		
10.		
11.		
12.		
13.		
14.		
15.		

Manager's remarks: \_\_\_\_\_

---

Manager: \_\_\_\_\_ Supervisor: \_\_\_\_\_

*(signature)*

*(signature)*



WORKING TO MAKE A DIFFERENCE  
worksafebc.com